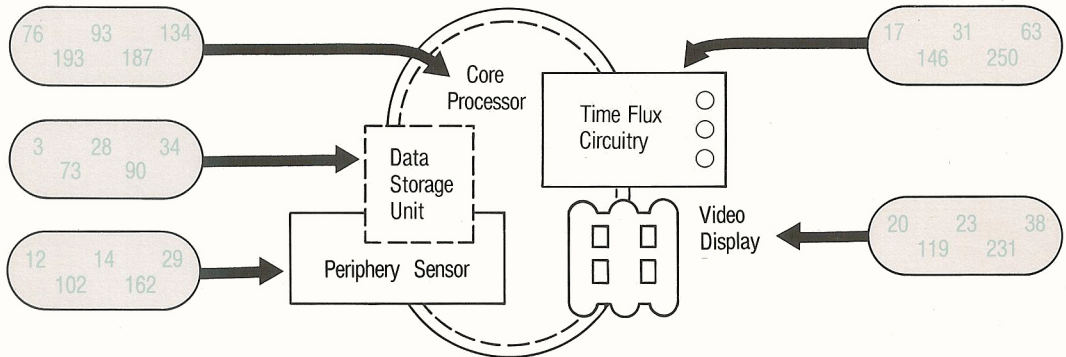


INTERKRON






TROUBLE SHOOTING GUIDE TO INTERKRON MODEL 9000TX

The Interkron 9000TX features the most advanced self-diagnostic repair robotics available. If a malfunction is detected in any of the Interkron's systems, the internal repair unit will initiate a three-part procedure to identify the malfunction and repair it. As an additional safety feature, the Interkron operator must independently verify the findings before proceeding to the next step of the repair procedure.

1. LOCATION CODES FOR DAMAGED COMPONENTS



2. COLOR CODES FOR MALFUNCTIONING SYSTEMS

COLOR CODE	SYSTEM	COLOR CODE	SYSTEM
Cyan, Orange, Gold	 Power	Green, Black, Gray	 Logic
Red, Purple, Brown	 Memory	Yellow, Silver, Pink	 Timing
Blue, White, Tan	 Parity		

3. REPAIR LEVELS AND PROCEDURE NUMBERS

Low Level Software		Low Level Hardware		Low Level Interface	
High Level Software		High Level Hardware		High Level Interface	